

Specification of receiver KL-YK04

1. Specification:

Working Voltage: DC5V

Quiescent Current: 5MA

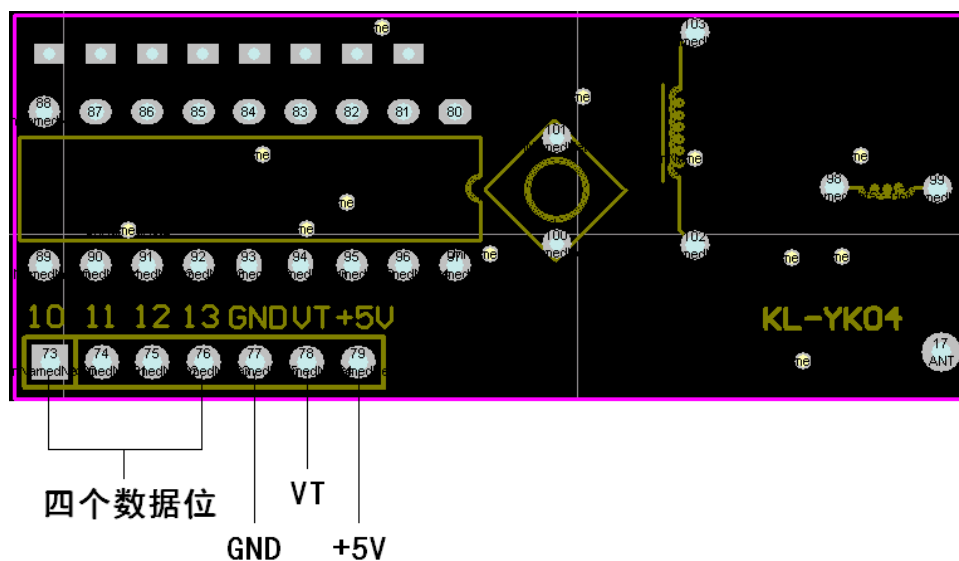
Sensitivity: -95DB

Frequency: 280-433MHZ

Max Load:10MA

Size:47*19*7

2. PINS & connecting



(10 1 12 13 are Data output)

1. 4 data outputs are for 4 button remote control. The data pin will output high level when the corresponding button is

pressed.

2. VT is output indicating, VT will show high level

3. GND +5V: Power source input