

TECHINICAL SPECIFICATIONS

MODEL	STANDARD	WIRES (No.)	LENGTH (mm)	WEIGHT (Kg)
VZS1760-065-1206	NEMA 17	6	60	0.5



CONNECTION	HOLDING TORQUE (Kgf.cm)	DETENT TORQUE (gf.cm)	ROTOR INERTIA (gf.cm ²)	CURRENT (A/Phase)	VOLTAGE (V/Phase)	RESITANCE (Ω/Phase)	INDUTANCE (mH/Phase)
BIPOLAR	6.5	280	102	1.2	7.2	6.0 ±10%	7.0 ±20%
UNIPOLAR	-	-	-	-	-	-	-

GENERAL SPECIFICATION

STEP ANGLE	INSULATION RESISTENCE	DIELECTRIC STRENGTH	TEMPERATURE RISE	AMBIENT TEMPERATURE	MAXIMUM RADIAL CLARENCE	MAXIMUM AXIAL CLARENCE	RADIAL FORCE	AXIAL FORCE
1.8° ±5%	100MΩ MIN, 500V DC	500 VAC / 1 MIN	80 °C (MAX)	-20°C ~ +50°C	0.02mm (450G LOAD)	0.08mm (450G LOAD)	28N (MAX)	10N (MAX)

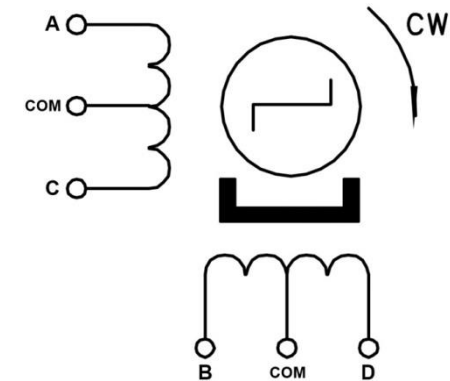
WIRING DIAGRAM

BIPOLAR	
MOTOR	DRIVER
BLACK (A)	A+
*YELLOW (COM)	ISOLATED
GREEN (C)	A-
RED (B)	B+
*WHITE (COM)	ISOLATED
BLUE (D)	B-

**UNIPOLAR	
MOTOR	DRIVER
BLACK (A)	OUT1
YELLOW (COM)	*** VCC OR GND
GREEN (C)	OUT2
RED (B)	OUT3
WHITE (COM)	*** VCC OR GND
BLUE (D)	OUT4

STEP (CW)	A	B	C	D	COM
1	+	+	-	-	N/A
2	-	+	+	-	N/A
3	-	-	+	+	N/A
4	+	-	-	+	N/A

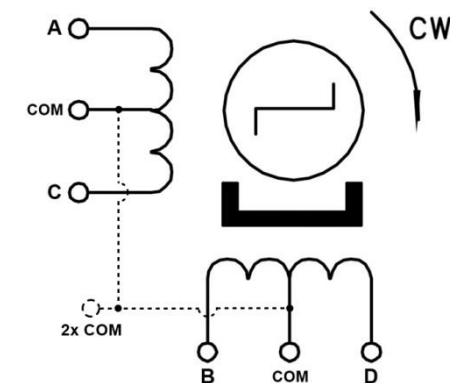
*IT DOES NOT HAVE CONNECTION TO THE DRIVER.



STEP (CW)	A	B	C	D	2x COM
1	-	-	N/A	N/A	+
2	N/A	-	-	N/A	+
3	N/A	N/A	-	-	+
4	-	N/A	N/A	-	+

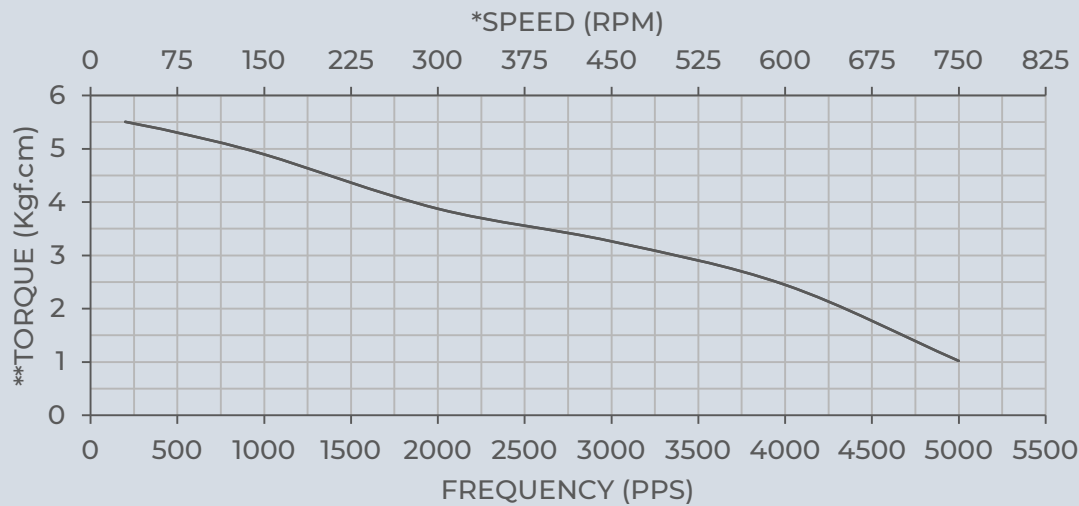
**UNIPOLAR WITH DOUBLE ACTIVATION;

***ACCORDING TO YOUR DRIVER, EX. VCC TO TB67S149FG;



TORQUE CURVE

DRIVER: JK0220 | CURRENT: 1.7A/Ph | VOLTAGE OF DRIVER: 24VDC | STEP/REV: 400 (HALF-STEP)



* THIS GRAPHIC SPEED SCALE IS ONLY CONDITIONED ON THE HALF STEP DRIVER SETTING.

**PULL-OUT TORQUE, BIPOLAR CONNECTION;

NOTE: THE MOTOR SPEED (RPM) VARIES ACCORDING TO 3 VARIABLES, STEP/REV (AMOUNT OF STEP TO COMPLETE 1 LAP), PPS (PULSES PER SECOND) AND THE TYPE STEP OF DRIVER, BEING FULL STEP (1/1), HALF STEP (1/2) AND MICROSTEPPING (1/4, 1/8 AND 1/16). THE SPEED (RPM) CAN BE CALCULATED WITH THE FOLLOWING EQUATIONS:

$$\text{STEP/REV} = \left(\frac{360}{\text{ANGLE STEP}} / \text{TYPE STEP OF DRIVER} \right) \quad \text{AND} \quad \text{RPM} = \frac{\text{PPS}}{\text{STEP/REV}} \times 60$$

DIMENSIONS

UNIT: mm

