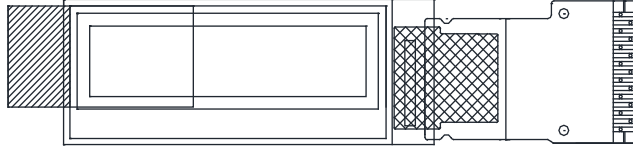


128 x 32 Graphic OLED



FEATURES

- Type: graphic
- Display format: 128 x 32 dots
- Built-in controller: SSD1306BZ
- Duty cycle: 1/32
- +3 V power supply
- Interface: 6800
- With polarizer
- Material categorization: for definitions of compliance please see www.vishay.com/doc?99912


RoHS
COMPLIANT

| MECHANICAL DATA | | |
|------------------|--------------------|------|
| ITEM | STANDARD VALUE | UNIT |
| Module dimension | 30.0 x 11.5 x 1.45 | mm |
| Viewing area | 24.384 x 7.584 | |
| Active area | 22.384 x 5.584 | |
| Dot size | 0.152 x 0.152 | |
| Dot pitch | 0.175 x 0.175 | |
| Mounting hole | n/a | |

| ABSOLUTE MAXIMUM RATINGS | | | | |
|--|------------------|----------------|------|------|
| ITEM | SYMBOL | STANDARD VALUE | | UNIT |
| | | MIN. | MAX. | |
| Supply voltage for logic ⁽¹⁾⁽²⁾ | V _{DD} | 0 | 4 | V |
| Supply voltage for display ⁽¹⁾⁽²⁾ | V _{CC} | 0 | 16 | V |
| Operating temperature | T _{OP} | -40 | +80 | °C |
| Storage temperature | T _{STG} | -40 | +80 | |

Notes

⁽¹⁾ All the above voltages are on the basis of "V_{SS} = 0 V"

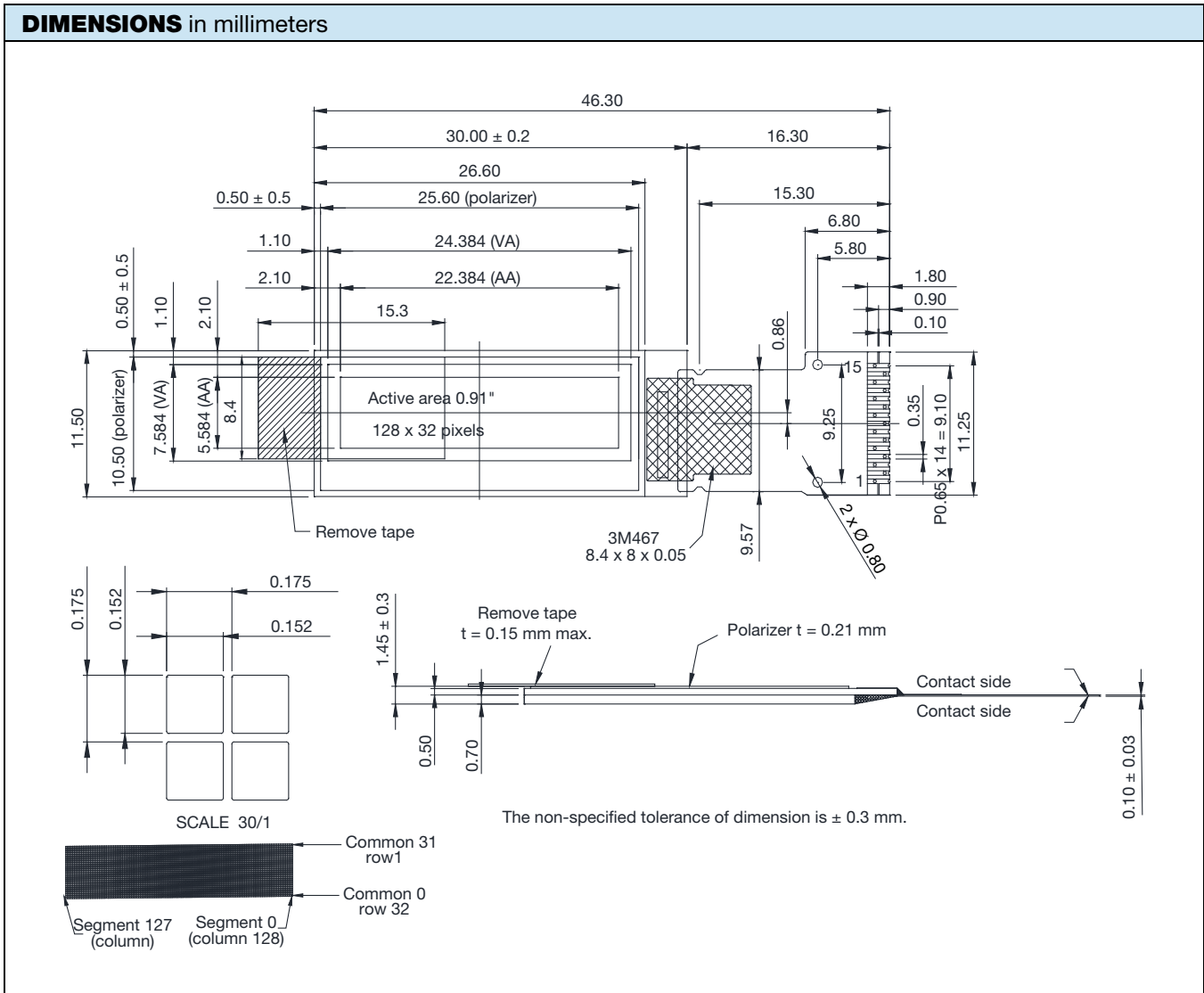
⁽²⁾ When this module is used beyond the above absolute maximum ratings, permanent breakage of the module may occur. Also, for normal operations, it is desirable to use this module under the conditions according to "Electrical Characteristics". If this module is used beyond these conditions, malfunctioning of the module can occur and the reliability of the module may deteriorate

| ELECTRICAL CHARACTERISTICS | | | | | | |
|---|-----------------|--------------------------|---------------------|------|---------------------|------|
| ITEM | SYMBOL | CONDITION | STANDARD VALUE | | | UNIT |
| | | | MIN. | TYP. | MAX. | |
| Supply voltage for logic | V _{DD} | - | 2.8 | 3.0 | 3.3 | V |
| Supply voltage for display | V _{CC} | - | 7.0 | 7.25 | 8.0 | |
| Input high voltage | V _{IH} | - | 0.8 V _{DD} | - | V _{DDI/O} | |
| Input low voltage | V _{IL} | - | 0 | - | 0.2 V _{DD} | |
| Output high voltage | V _{OH} | - | 0.9 V _{DD} | - | V _{DDI/O} | |
| Output low voltage | V _{OL} | - | 0 | - | 0.1 V _{DD} | |
| Operating current for V _{CC} (V _{CC} supplied externally) | I _{CC} | V _{CC} = 7.25 V | 5 | 6 | 7 | mA |

| OPTIONS | | | | |
|----------------|-------|-----|------|-------|
| EMITTING COLOR | | | | |
| YELLOW | GREEN | RED | BLUE | WHITE |
| Yes | - | - | - | - |



| INTERFACE PIN FUNCTION | | |
|------------------------|-------------------|---|
| PIN NO. | SYMBOL | DESCRIPTION |
| 1 | C2N | Positive terminal of the flying inverting capacitor negative terminal of the flying boost capacitor The charge-pump capacitors are required between the terminals. They must be floated when the converter is not used |
| 2 | C2P | |
| 3 | C1P | |
| 4 | C1N | |
| 5 | V _{BAT} | Power supply for DC/DC converter circuit This is the power supply pin for the internal buffer of the DC/DC voltage converter. It must be connected to external source when the converter is used. It should be connected to V _{DD} when the converter is not used |
| 6 | V _{SS} | Ground of logic circuit This is a ground pin. It acts as a reference for the logic pins. It must be connected to external ground |
| 7 | V _{DD} | Power supply for logic. This is a voltage supply pin. It must be connected to external source |
| 8 | CS# | Chip select This pin is the chip select input. The chip is enabled for MCU communication only when CS# is pulled "low" |
| 9 | RES# | Power reset for controller and driver This pin is reset signal input. When the pin is low, initialization of the chip is executed |
| 10 | D / C# | Data / command control This pin is data / command control pin. When the pin is pulled "high" and serial interface mode is selected, the data at SDIN is treated as data. When it is pulled "low", the data at SDIN will be transferred to the command register. In I ² C mode, this pin acts as SA0 for slave address selection |
| 11 | SCLK | When serial mode is selected, D1 will be the serial data input SDIN and D0 will be the serial clock input SCLK |
| 12 | SDIN | |
| 13 | I _{REF} | Current reference for brightness adjustment This pin is segment current reference pin. A resistor should be connected between this pin and V _{SS} . Set the current lower than 12.5 μA |
| 14 | V _{COMH} | Voltage output high level for COM signal This pin is the input pin for the voltage output high level for COM signals. A capacitor should be connected between this pin and V _{SS} |
| 15 | V _{CC} | Power supply for OEL panel This is the most positive voltage supply pin of the chip. A stabilization capacitor should be connected between this pin and V _{SS} when the converter is used. It must be connected to external source when the converter is not used. |





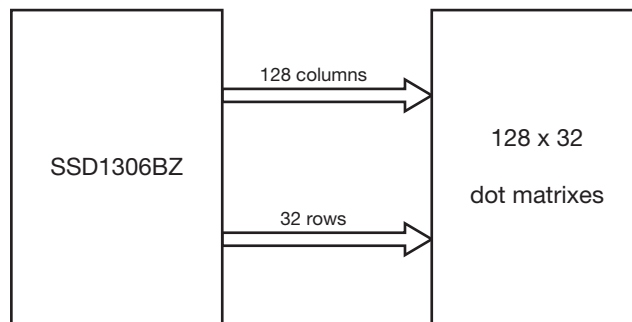
MODULE CLASSIFICATION INFORMATION

| | | | | | | | | | | | | | | |
|------|-------------------|--|---|-----|---|---|---|---|---|----|----|----|----|-----|
| OLED | - | 128 | O | 032 | D | - | L | P | P | 3 | N | 0 | 0 | 000 |
| 1 | | 2 | 3 | 4 | 5 | 6 | 7 | 8 | 9 | 10 | 11 | 12 | 13 | |
| 1 | Brand | Vishay Intertechnology, Inc. | | | | | | | | | | | | |
| 2 | Horizontal format | 128 columns | | | | | | | | | | | | |
| 3 | Display type | F: COG type, with frame H: graphic type N: character type O: COG type Y: tab type | | | | | | | | | | | | |
| 4 | Vertical format | 32 lines | | | | | | | | | | | | |
| 5 | Serials code | D | | | | | | | | | | | | |
| 6 | Emitting color | A: amber B: blue C: full color G: green L: yellow R: red S: sky blue W: white X: yellow / sky blue (dual color) Y: yellow green | | | | | | | | | | | | |
| 7 | Polarizer | N: without polarizer P: with polarizer | | | | | | | | | | | | |
| 8 | Display mode | A: active matrix P: passive matrix | | | | | | | | | | | | |
| 9 | Driver voltage | 3: 3.0 V to 3.3 V 5: 5.0 V | | | | | | | | | | | | |
| 10 | Touch panel | N: without touch panel T: with touch panel | | | | | | | | | | | | |
| 11 | Products type | 0: standard 1: sunlight readable 2: transparent OLED (TOLED) 3: flexible OLED 4: OLED for lighting | | | | | | | | | | | | |
| 12 | Product grades | 0: standard (A level) 2: B level 3: C level 4: high class (AA level) 5: customer offerings | | | | | | | | | | | | |
| 13 | Serial number | Application serial number (000 to ZZZ) | | | | | | | | | | | | |



| GENERAL SPECIFICATIONS | | |
|------------------------|--------------------|------|
| ITEM | DIMENSION | UNIT |
| Number of characters | 128 x 32 dots | |
| Module dimension | 30.0 x 11.5 x 1.45 | mm |
| View area | 24.384 x 7.584 | mm |
| Active area | 22.384 x 5.584 | mm |
| Dot size | 0.152 x 0.152 | mm |
| Dot pitch | 0.175 x 0.175 | mm |
| Panel type | OLED, yellow | |
| Duty | 1/32 | |
| IC | SSD1306BZ | |

FUNCTION BLOCK DIAGRAM



Note

- For more information, please refer to Application Note provided by Vishay

| OPTICAL CHARACTERISTICS | | | | | | |
|--|--------------|-----------|----------|------|------|-------------------|
| ITEM | SYMBOL | CONDITION | MIN. | TYP. | MAX. | UNIT |
| View angle | (V) θ | | 160 | - | - | deg |
| | (H) ϕ | | 160 | - | - | |
| Contrast ratio | CR | Dark | 2000 : 1 | - | - | - |
| Response time | t_{rise} | | - | 10 | - | μs |
| | t_{fall} | | - | 10 | - | μs |
| Display with 50 % check board brightness | | | 100 | 120 | - | cd/m ² |
| CIE _x (yellow) | (CIE1931) | | 0.45 | 0.47 | 0.49 | |
| CIE _y (yellow) | (CIE1931) | | 0.48 | 0.50 | 0.52 | |



| OLED LIFETIME | | | |
|----------------------|---|----------|------|
| ITEM | CONDITIONS | MIN. | TYP. |
| Operating life time | T _A = 25 °C, initial 50 % check board brightness typical value | 50 000 h | - |

Notes

- Life time is defined the amount of time when the luminance has decayed to < 50 % of the initial value
- This analysis method uses life data obtained under accelerated conditions to extrapolate an estimated probability density function (PDF) for the product under normal use conditions
- Screen saving mode will extend OLED lifetime



| RELIABILITY | | |
|-------------------------------------|---|---|
| ENVIRONMENTAL TEST | | |
| TEST ITEM | CONTENT OF TEST | TEST CONDITION |
| High temperature storage | Endurance test applying the high storage temperature for a long time | 80 °C, 240 h |
| Low temperature storage | Endurance test applying the low storage temperature for a long time | -40 °C, 240 h |
| High temperature operation | Endurance test applying the electric stress (voltage and current) and the thermal stress to the element for a long time | 80 °C, 240 h |
| Low temperature operation | Endurance test applying the electric stress under low temperature for a long time | -40 °C, 240 h |
| High temperature / humidity storage | Endurance test applying the high temperature and high humidity storage for a long time | 60 °C, 90 % RH, 240 h |
| Temperature cycle | Endurance test applying the low and high temperature cycle | -40 °C / 80 °C, 100 cycles |
| MECHANICAL TEST | | |
| Vibration test | Endurance test applying the vibration during transportation and using | 10 Hz to 22 Hz for 1.5 mm peak-to-peak, 22 Hz to 500 Hz for 1.5 g, total 0.5 h |
| Shock test | Constructional and mechanical endurance test applying the shock during transportation | 50 g half sin wave 11 ms, 3 times of each direction |
| Atmospheric pressure test | Endurance test applying the atmospheric pressure during transportation by air | 115 mbar, 40 h |
| OTHERS | | |
| Static electricity test | Endurance test applying the electric stress to the terminal | $V_S = \pm 600$ V (contact), ± 800 V (air), $R_S = 330 \Omega$, $C_S = 150$ pF, 10 times |

Note

- Supply voltage for OLED system = operating voltage at 25 °C

TEST AND MEASUREMENT CONDITIONS

1. All measurements shall not be started until the specimens attain to temperature stability. After the completion of the described reliability test, the samples were left at room temperature for 2 hours prior to conducting the failure test at 23 °C ± 5 °C, 55 % ± 15 % RH
2. All-pixels-on is used as operation test pattern
3. The degradation of polarizer are ignored for high temperature storage, high temperature / humidity storage, temperature cycle

EVALUATION CRITERIA

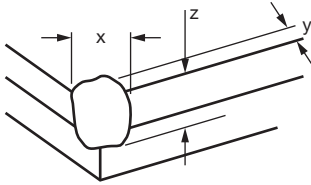
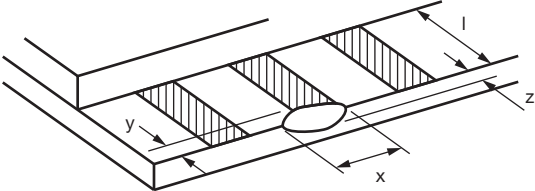
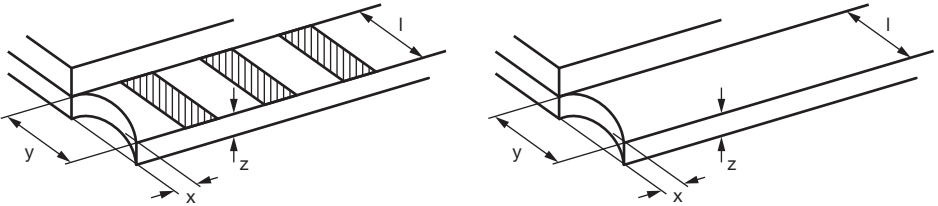
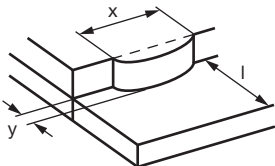
4. The function test is OK
5. No observable defects
6. Luminance: > 50 % of initial value
7. Current consumption: within ± 50 % of initial value

APPENDIX: RESIDUE IMAGE

Because the pixels are lighted in different time, the luminance of active pixels may reduce or differ from inactive pixels. Therefore, the residue image will occur. To avoid the residue image, every pixel needs to be lighted up uniformly.

| INSPECTION SPECIFICATION | | | | | | | | | | | | | | | | |
|--|--|---|---|----------------|----------------|------------------|-----------------------|-------------------------|----------------------|-------------------------|----------------|----------------------|---|------------|---------------|-----|
| NO. | ITEM | CRITERION | AQL | | | | | | | | | | | | | |
| 01 | Electrical testing | 1.1 Missing vertical, horizontal segment, segment contrast defect 1.2 Missing character, dot or icon 1.3 Display malfunction 1.4 No function or no display 1.5 Current consumption exceeds product specifications 1.6 OLED viewing angle defect 1.7 Mixed product types 1.8 Contrast defect | 0.65 | | | | | | | | | | | | | |
| 02 | Black or white spots on OLED (display only) | 2.1 White and black spots on display ≤ 0.25 mm, no more than three white or black spots present 2.2 Densely spaced: no more than two spots or lines within 3 mm | 2.5 | | | | | | | | | | | | | |
| 03 | OLED black spots, white spots, contamination (non-display) | 3.1 Round type: as following drawing $\Phi = (x + y) / 2$ | <table border="1"> <thead> <tr> <th>SIZE</th> <th>ACCEPTABLE QTY</th> </tr> </thead> <tbody> <tr> <td>$\Phi \leq 0.10$</td> <td>Accept no dense</td> </tr> <tr> <td>$0.10 < \Phi \leq 0.20$</td> <td>2</td> </tr> <tr> <td>$0.20 < \Phi \leq 0.25$</td> <td>1</td> </tr> <tr> <td>$0.25 < \Phi$</td> <td>0</td> </tr> </tbody> </table> | SIZE | ACCEPTABLE QTY | $\Phi \leq 0.10$ | Accept no dense | $0.10 < \Phi \leq 0.20$ | 2 | $0.20 < \Phi \leq 0.25$ | 1 | $0.25 < \Phi$ | 0 | 2.5 | | |
| | | SIZE | ACCEPTABLE QTY | | | | | | | | | | | | | |
| $\Phi \leq 0.10$ | Accept no dense | | | | | | | | | | | | | | | |
| $0.10 < \Phi \leq 0.20$ | 2 | | | | | | | | | | | | | | | |
| $0.20 < \Phi \leq 0.25$ | 1 | | | | | | | | | | | | | | | |
| $0.25 < \Phi$ | 0 | | | | | | | | | | | | | | | |
| 3.2 Line type (as following drawing) | <table border="1"> <thead> <tr> <th>LENGTH</th> <th>WIDTH</th> <th>ACCEPTABLE QTY</th> </tr> </thead> <tbody> <tr> <td>-</td> <td>$W \leq 0.02$</td> <td>Accept no dense</td> </tr> <tr> <td>$L \leq 3.0$</td> <td>$0.02 < W \leq 0.03$</td> <td rowspan="2">2</td> </tr> <tr> <td>$L \leq 2.5$</td> <td>$0.03 < W \leq 0.05$</td> </tr> <tr> <td>-</td> <td>$0.05 < W$</td> <td>As round type</td> </tr> </tbody> </table> | LENGTH | WIDTH | ACCEPTABLE QTY | - | $W \leq 0.02$ | Accept no dense | $L \leq 3.0$ | $0.02 < W \leq 0.03$ | 2 | $L \leq 2.5$ | $0.03 < W \leq 0.05$ | - | $0.05 < W$ | As round type | 2.5 |
| LENGTH | WIDTH | ACCEPTABLE QTY | | | | | | | | | | | | | | |
| - | $W \leq 0.02$ | Accept no dense | | | | | | | | | | | | | | |
| $L \leq 3.0$ | $0.02 < W \leq 0.03$ | 2 | | | | | | | | | | | | | | |
| $L \leq 2.5$ | $0.03 < W \leq 0.05$ | | | | | | | | | | | | | | | |
| - | $0.05 < W$ | As round type | | | | | | | | | | | | | | |
| 04 | Polarizer bubbles | If bubbles are visible, judge using black spot specifications, not easy to find, must check in specify direction. | <table border="1"> <thead> <tr> <th>SIZE Φ</th> <th>ACCEPTABLE QTY</th> </tr> </thead> <tbody> <tr> <td>$\Phi \leq 0.20$</td> <td>Accept no dense</td> </tr> <tr> <td>$0.20 < \Phi \leq 0.50$</td> <td>3</td> </tr> <tr> <td>$0.50 < \Phi \leq 1.00$</td> <td>2</td> </tr> <tr> <td>$1.00 < \Phi$</td> <td>0</td> </tr> <tr> <td>Total QTY</td> <td>3</td> </tr> </tbody> </table> | SIZE Φ | ACCEPTABLE QTY | $\Phi \leq 0.20$ | Accept no dense | $0.20 < \Phi \leq 0.50$ | 3 | $0.50 < \Phi \leq 1.00$ | 2 | $1.00 < \Phi$ | 0 | Total QTY | 3 | 2.5 |
| SIZE Φ | ACCEPTABLE QTY | | | | | | | | | | | | | | | |
| $\Phi \leq 0.20$ | Accept no dense | | | | | | | | | | | | | | | |
| $0.20 < \Phi \leq 0.50$ | 3 | | | | | | | | | | | | | | | |
| $0.50 < \Phi \leq 1.00$ | 2 | | | | | | | | | | | | | | | |
| $1.00 < \Phi$ | 0 | | | | | | | | | | | | | | | |
| Total QTY | 3 | | | | | | | | | | | | | | | |
| 05 | Scratches | Follow no. 3 OLED black spots, white spots, contamination | | | | | | | | | | | | | | |
| 06 | Chipped glass | Symbols: x: chip length y: chip width z: chip thickness k: seal width t: glass thickness a: OLED side length l: electrode pad length 6.1 General glass chip: 6.1.1 Chip on panel surface and crack between panels: <table border="1"> <tbody> <tr> <td>z: chip thickness</td> <td>y: chip width</td> <td>x: chip length</td> </tr> <tr> <td>$z \leq 1/2 t$</td> <td>Not over viewing area</td> <td>$x \leq 1/8 a$</td> </tr> <tr> <td>$1/2 t < z \leq 2 t$</td> <td>Not exceed 1/3 k</td> <td>$x \leq 1/8 a$</td> </tr> </tbody> </table> Note • If there are 2 or more chips, x is total length of each chip | z: chip thickness | y: chip width | x: chip length | $z \leq 1/2 t$ | Not over viewing area | $x \leq 1/8 a$ | $1/2 t < z \leq 2 t$ | Not exceed 1/3 k | $x \leq 1/8 a$ | 2.5 | | | | |
| z: chip thickness | y: chip width | x: chip length | | | | | | | | | | | | | | |
| $z \leq 1/2 t$ | Not over viewing area | $x \leq 1/8 a$ | | | | | | | | | | | | | | |
| $1/2 t < z \leq 2 t$ | Not exceed 1/3 k | $x \leq 1/8 a$ | | | | | | | | | | | | | | |

INSPECTION SPECIFICATION

| NO. | ITEM | CRITERION | AQL | | | | | | | | | | | | | | | | |
|-------------------------|-----------------------|---|-------------------|----------------|-------------------|-------------------------|-----------------------|----------------|----------------------|--------------------|-------------------|------------|----------------|----------------|----------|-----------|----------------|------------|-----|
| 06 | Chipped glass | <p>6.1.2 Corner crack:</p>  <table border="1" data-bbox="453 550 1385 651"> <tr> <td>z: chip thickness</td> <td>y: chip width</td> <td>x: chip length</td> </tr> <tr> <td>$z \leq 1/2 t$</td> <td>Not over viewing area</td> <td>$x \leq 1/8 a$</td> </tr> <tr> <td>$1/2 t < z \leq 2 t$</td> <td>Not exceed $1/3 k$</td> <td>$x \leq 1/8 a$</td> </tr> </table> <p>Note</p> <ul style="list-style-type: none"> If there are 2 or more chips, x is total length of each chip | z: chip thickness | y: chip width | x: chip length | $z \leq 1/2 t$ | Not over viewing area | $x \leq 1/8 a$ | $1/2 t < z \leq 2 t$ | Not exceed $1/3 k$ | $x \leq 1/8 a$ | 2.5 | | | | | | | |
| z: chip thickness | y: chip width | x: chip length | | | | | | | | | | | | | | | | | |
| $z \leq 1/2 t$ | Not over viewing area | $x \leq 1/8 a$ | | | | | | | | | | | | | | | | | |
| $1/2 t < z \leq 2 t$ | Not exceed $1/3 k$ | $x \leq 1/8 a$ | | | | | | | | | | | | | | | | | |
| 06 | Glass crack | <p>Symbols: x: chip length y: chip width z: chip thickness k: seal width t: glass thickness a: OLED side length l: electrode pad length</p> <p>6.2 Protrusion over terminal: 6.2.1 Chip on electrode pad:</p>  <table border="1" data-bbox="453 1140 1385 1207"> <tr> <td>y: chip width</td> <td>x: chip length</td> <td>z: chip thickness</td> </tr> <tr> <td>$y \leq 0.5 \text{ mm}$</td> <td>$x \leq 1/8 a$</td> <td>$0 < z \leq t$</td> </tr> </table> <p>6.2.2 Non-conductive portion:</p>  <table border="1" data-bbox="453 1478 1385 1545"> <tr> <td>y: chip width</td> <td>x: chip length</td> <td>z: chip thickness</td> </tr> <tr> <td>$y \leq l$</td> <td>$x \leq 1/8 a$</td> <td>$0 < z \leq t$</td> </tr> </table> <p>Notes</p> <ul style="list-style-type: none"> If the chipped area touches the ITO terminal, over 2/3 of the ITO must remain and be inspected according to electrode terminal specifications If the product will be heat sealed by the customer, the alignment mark not be damaged <p>6.2.3 Substrate protuberance and internal crack:</p>  <table border="1" data-bbox="769 1688 1385 1755"> <tr> <td>y: width</td> <td>x: length</td> </tr> <tr> <td>$y \leq 1/3 l$</td> <td>$x \leq a$</td> </tr> </table> | y: chip width | x: chip length | z: chip thickness | $y \leq 0.5 \text{ mm}$ | $x \leq 1/8 a$ | $0 < z \leq t$ | y: chip width | x: chip length | z: chip thickness | $y \leq l$ | $x \leq 1/8 a$ | $0 < z \leq t$ | y: width | x: length | $y \leq 1/3 l$ | $x \leq a$ | 2.5 |
| y: chip width | x: chip length | z: chip thickness | | | | | | | | | | | | | | | | | |
| $y \leq 0.5 \text{ mm}$ | $x \leq 1/8 a$ | $0 < z \leq t$ | | | | | | | | | | | | | | | | | |
| y: chip width | x: chip length | z: chip thickness | | | | | | | | | | | | | | | | | |
| $y \leq l$ | $x \leq 1/8 a$ | $0 < z \leq t$ | | | | | | | | | | | | | | | | | |
| y: width | x: length | | | | | | | | | | | | | | | | | | |
| $y \leq 1/3 l$ | $x \leq a$ | | | | | | | | | | | | | | | | | | |
| 07 | Cracked glass | The OLED with extensive crack is not acceptable | 2.5 | | | | | | | | | | | | | | | | |



| INSPECTION SPECIFICATION | | | |
|--------------------------|--------------------|---|------|
| NO. | ITEM | CRITERION | AQL |
| 08 | Backlight elements | 8.1 Illumination source flickers when lit | 0.65 |
| | | 8.2 Spots or scratched that appear when lit must be judged. Using OLED spot, lines and contamination standards | 2.5 |
| | | 8.3 Backlight does not light or color wrong | 0.65 |
| 09 | Bezel | 9.1 Bezel may not have rust, be deformed or have fingerprints, stains or other contamination | 2.5 |
| | | 9.2 Bezel must comply with job specifications | 0.65 |
| 10 | PCB, COB | 10.1 COB seal may not have pinholes larger than 0.2 mm or contamination | 2.5 |
| | | 10.2 COB seal surface may not have pinholes through to the IC | 2.5 |
| | | 10.3 The height of the COB should not exceed the height indicated in the assembly diagram | 0.65 |
| | | 10.4 There may not be more than 2 mm of sealant outside the seal area on the PCB. And there should be no more than three places | 2.5 |
| | | 10.5 No oxidation or contamination PCB terminals | 2.5 |
| | | 10.6 Parts on PCB must be the same as on the production characteristic chart. There should be no wrong parts, missing parts or excess parts | 0.65 |
| | | 10.7 The jumper on the PCB should conform to the product characteristic chart | 0.65 |
| | | 10.8 If solder gets on bezel tab pads, OLED pad, zebra pad or screw hold pad, make sure it is smoothed down | 2.5 |
| 11 | Soldering | 11.1 No un-melted solder paste may be present on the PCB | 2.5 |
| | | 11.2 No cold solder joints, missing solder connections, oxidation or icicle | 2.5 |
| | | 11.3 No residue or solder balls on PCB | 2.5 |
| | | 11.4 No short circuits in components on PCB | 0.65 |
| 12 | General appearance | 12.1 No oxidation, contamination, curves or, bends on interface pin (OLB) of TCP | 2.5 |
| | | 12.2 No cracks on interface pin (OLB) of TCP | 0.65 |
| | | 12.3 No contamination, solder residue or solder balls on product | 2.5 |
| | | 12.4 The IC on the TCP may not be damaged, circuits | 2.5 |
| | | 12.5 The uppermost edge of the protective strip on the interface pin must be present or look as if it cause the interface pin to sever | 2.5 |
| | | 12.6 The residual rosin or tin oil of soldering (component or chip component) is not burned into brown or black color | 2.5 |
| | | 12.7 Sealant on top of the ITO circuit has not hardened | 2.5 |
| | | 12.8 Pin type must match type in specification sheet | 0.65 |
| | | 12.9 OLED pin loose or missing pins | 0.65 |
| | | 12.10 Product packaging must the same as specified on packaging specification sheet | 0.65 |
| | | 12.11 Product dimension and structure must conform to product specification sheet | 0.65 |

| CHECK ITEM | CLASSIFICATION | CRITERIA |
|--|----------------|---|
| No display | Major |  |
| Missing line | Major |  |
| Pixel short | Major |  |
| Darker short | Major |  |
| Wrong display | Major |  |
| Un-uniform $B/A \times 100 \% < 70 \%$ $A/C \times 100 \% < 70 \%$ | Major |  |

PRECAUTIONS IN USE OF OLED MODULES

MODULES

1. Avoid applying excessive shocks to module or making any alterations or modifications to it
2. Do not make extra holes on the printed circuit board, modify its shape or change the components of OLED display module
3. Do not disassemble the OLED display module
4. Do not operate it above the absolute maximum rating
5. Do not drop, bend or twist OLED display module
6. Soldering: only to the I/O terminals
7. Storage: please storage in anti-static electricity container and clean environment
8. It is pretty common to use "screen saver" to extend the lifetime and do not use fix information for long time in real application
9. Do not use fixed information in OLED panel for long time, that will extend "screen burn" effect time
10. Vishay has the right to change the passive components, including R2 and R3 adjust resistors. (Resistors, capacitors, and other passive components will have different appearance and color caused by the different supplier)
11. Vishay have the right to change the PCB Rev. (In order to satisfy the supplying stability, management optimization, and the best product performance... etc, under the premise of not affecting the electrical characteristics and external dimensions, Vishay have the right to modify the version)

HANDLING PRECAUTIONS

1. Since the display panel is being made of glass, do not apply mechanical impacts such as dropping from a high position
2. If the display panel is broken by some accident and the internal organic substance leaks out, be careful not to inhale nor lick the organic substance
3. If pressure is applied to the display surface or its neighborhood of the OLED display module, the cell structure may be damaged and be careful not to apply pressure to these sections
4. The polarizer covering the surface of the OLED display module is soft and easily scratched. Please be careful when handling the OLED display module
5. When the surface of the polarizer of the OLED display module has soil, clean the surface. It takes advantage of by using following adhesion tape
 - Scotch mending tape no. 810 or an equivalent

Never try to breathe upon the soiled surface nor wipe the surface using cloth containing solvent such as ethyl alcohol, since the surface of the polarizer will become cloudy. Also, pay attention that the following liquid and solvent may spoil the polarizer:

 - Water
 - Ketone
 - Aromatic solvents
6. Hold OLED display module very carefully when placing OLED display module into the system housing. Do not apply excessive stress or pressure to OLED display module. And, do not over bend the film with electrode pattern layouts. These stresses will influence the display performance. Also, secure sufficient rigidity for the outer cases



7. Do not apply stress to the LSI chips and the surrounding molded sections
8. Do not disassemble nor modify the OLED display module
9. Do not apply input signals while the logic power is off



10. Pay sufficient attention to the working environments when handling OLED display modules to prevent occurrence of element breakage accidents by static electricity
 - Be sure to make human body grounding when handling OLED display modules
 - Be sure to ground tools to use or assembly such as soldering irons
 - To suppress generation of static electricity, avoid carrying out assembly work under dry environments
 - Protective film is being applied to the surface of the display panel of the OLED display module. Be careful since static electricity may be generated when exfoliating the protective film
11. Protection film is being applied to the surface of the display panel and removes the protection film before assembling it. At this time, if the OLED display module has been stored for a long period of time, residue adhesive material of the protection film may remain on the surface of the display panel after removed of the film. In such case, remove the residue material by the method introduced in the above no. 5
12. If electric current is applied when the OLED display module is being dewed or when it is placed under high humidity environments, the electrodes may be corroded and be careful to avoid the above

STORAGE PRECAUTIONS

1. When storing OLED display modules, put them in static electricity preventive bags avoiding exposure to direct sun light nor to lights of fluorescent lamps and, also, avoiding high temperature and high humidity environment or low temperature (less than 0 °C) environments. We recommend you to store these modules in the packaged state when they were shipped from Vishay. At that time, be careful not to let water drops adhere to the packages or bags nor let dewing occur with them
2. If electric current is applied when water drops are adhering to the surface of the OLED display module, when the OLED display module is being dewed or when it is placed under high humidity environments, the electrodes may be corroded and be careful about the above

DESIGNING PRECAUTIONS

1. The absolute maximum ratings are the ratings which cannot be exceeded for OLED display module, and if these values are exceeded, panel damage may be happen
2. To prevent occurrence of malfunctioning by noise, pay attention to satisfy the V_{IL} and V_{IH} specifications and, at the same time, to make the signal line cable as short as possible
3. We recommend you to install excess current preventive unit (fuses, etc.) to the power circuit (V_{DD}) (recommend value: 0.5 A)
4. Pay sufficient attention to avoid occurrence of mutual noise interference with the neighboring devices
5. As for EMI, take necessary measures on the equipment side basically
6. When fastening the OLED display module, fasten the external plastic housing section
7. If power supply to the OLED display module is forcibly shut down by such errors as taking out the main battery while the OLED display panel is in operation, we cannot guarantee the quality of this OLED display module
 - Connection (contact) to any other potential than the above may lead to rupture of the IC

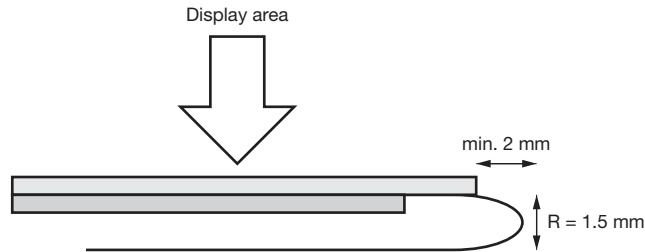
PRECAUTIONS WHEN DISPOSING OF THE OLED DISPLAY MODULES

1. Request the qualified companies to handle industrial wastes when disposing of the OLED display modules. Or, when burning them, be sure to observe the environmental and hygienic laws and regulations

OTHER PRECAUTIONS

1. When an OLED display module is operated for a long of time with fixed pattern may remain as an after image or slight contrast deviation may occur. Nonetheless, if the operation is interrupted and left unused for a while, normal state can be restored. Also, there will be no problem in the reliability of the module
2. To protect OLED display modules from performance drops by static electricity rapture, etc., do not touch the following sections whenever possible while handling the OLED display modules
 - Pins and electrodes
 - Pattern layouts such as the TCP and FPC
3. With this OLED display module, the OLED driver is being exposed. Generally speaking, semiconductor elements change their characteristics when light is radiated according to the principle of the solar battery. Consequently, if this OLED driver is exposed to light, malfunctioning may occur
 - Design the product and installation method so that the OLED driver may be shielded from light in actual usage
 - Design the product and installation method so that the OLED driver may be shielded from light during the inspection processes

4. Although this OLED display module stores the operation state data by the commands and the indication data, when excessive external noise, etc. enters into the module, the internal status may be changed. It therefore is necessary to take appropriate measures to suppress noise generation or to protect from influences of noise on the system design
5. We recommend you to construct its software to make periodical refreshment of the operation statuses (re-setting of the commands and re-transference of the display data) to cope with catastrophic noise
6. Resistors, capacitors, and other passive components will have different appearance and color caused by the different supplier
7. Our company will has the right to upgrade and modify the product function
8. The limitation of FPC bending





Disclaimer

ALL PRODUCT, PRODUCT SPECIFICATIONS AND DATA ARE SUBJECT TO CHANGE WITHOUT NOTICE TO IMPROVE RELIABILITY, FUNCTION OR DESIGN OR OTHERWISE.

Vishay Intertechnology, Inc., its affiliates, agents, and employees, and all persons acting on its or their behalf (collectively, "Vishay"), disclaim any and all liability for any errors, inaccuracies or incompleteness contained in any datasheet or in any other disclosure relating to any product.

Vishay makes no warranty, representation or guarantee regarding the suitability of the products for any particular purpose or the continuing production of any product. To the maximum extent permitted by applicable law, Vishay disclaims (i) any and all liability arising out of the application or use of any product, (ii) any and all liability, including without limitation special, consequential or incidental damages, and (iii) any and all implied warranties, including warranties of fitness for particular purpose, non-infringement and merchantability.

Statements regarding the suitability of products for certain types of applications are based on Vishay's knowledge of typical requirements that are often placed on Vishay products in generic applications. Such statements are not binding statements about the suitability of products for a particular application. It is the customer's responsibility to validate that a particular product with the properties described in the product specification is suitable for use in a particular application. Parameters provided in datasheets and / or specifications may vary in different applications and performance may vary over time. All operating parameters, including typical parameters, must be validated for each customer application by the customer's technical experts. Product specifications do not expand or otherwise modify Vishay's terms and conditions of purchase, including but not limited to the warranty expressed therein.

Hyperlinks included in this datasheet may direct users to third-party websites. These links are provided as a convenience and for informational purposes only. Inclusion of these hyperlinks does not constitute an endorsement or an approval by Vishay of any of the products, services or opinions of the corporation, organization or individual associated with the third-party website. Vishay disclaims any and all liability and bears no responsibility for the accuracy, legality or content of the third-party website or for that of subsequent links.

Except as expressly indicated in writing, Vishay products are not designed for use in medical, life-saving, or life-sustaining applications or for any other application in which the failure of the Vishay product could result in personal injury or death. Customers using or selling Vishay products not expressly indicated for use in such applications do so at their own risk. Please contact authorized Vishay personnel to obtain written terms and conditions regarding products designed for such applications.

No license, express or implied, by estoppel or otherwise, to any intellectual property rights is granted by this document or by any conduct of Vishay. Product names and markings noted herein may be trademarks of their respective owners.