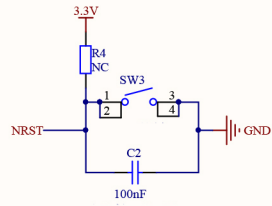
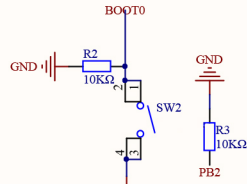


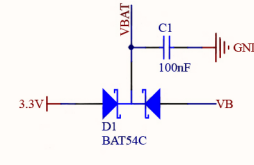
User KEY



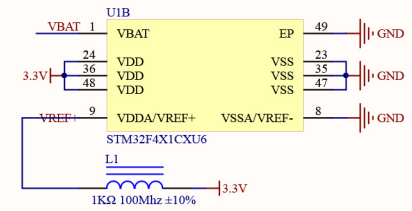
Reset circuit



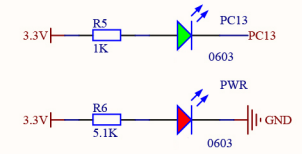
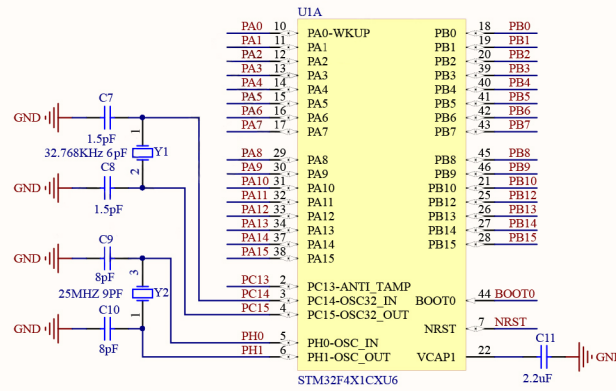
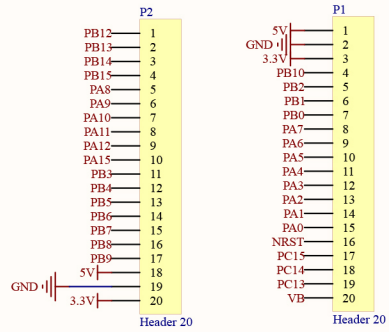
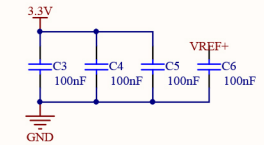
BOOT Settings



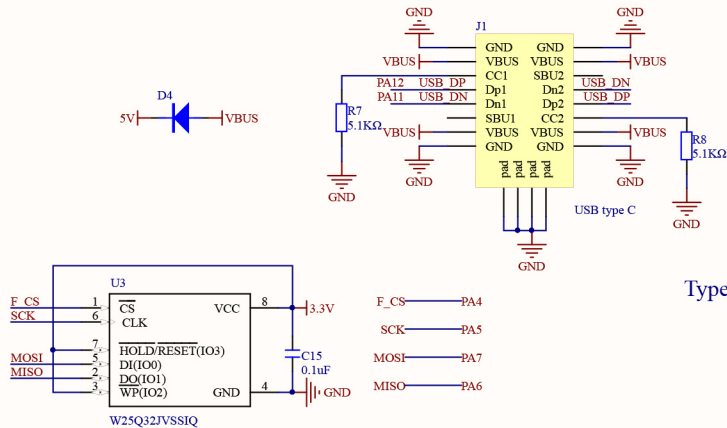
RTC circuit



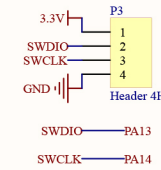
STM32 Power supply



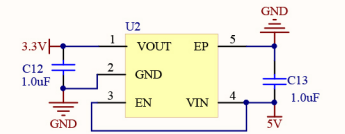
Indicator light



Type-C interface



SW debug download interface



5V -> 3.3V Power conversion

Title		
Size	Number	Revision
A3		
Date:		Sheet of
File:		Drawn By: